

Vortex 3 Voice Changing Module Instructions
Hyperdyne Labs, © 2001-2016
<http://www.hyperdynelabs.com>

The Vortex 3 documentation can be found at:

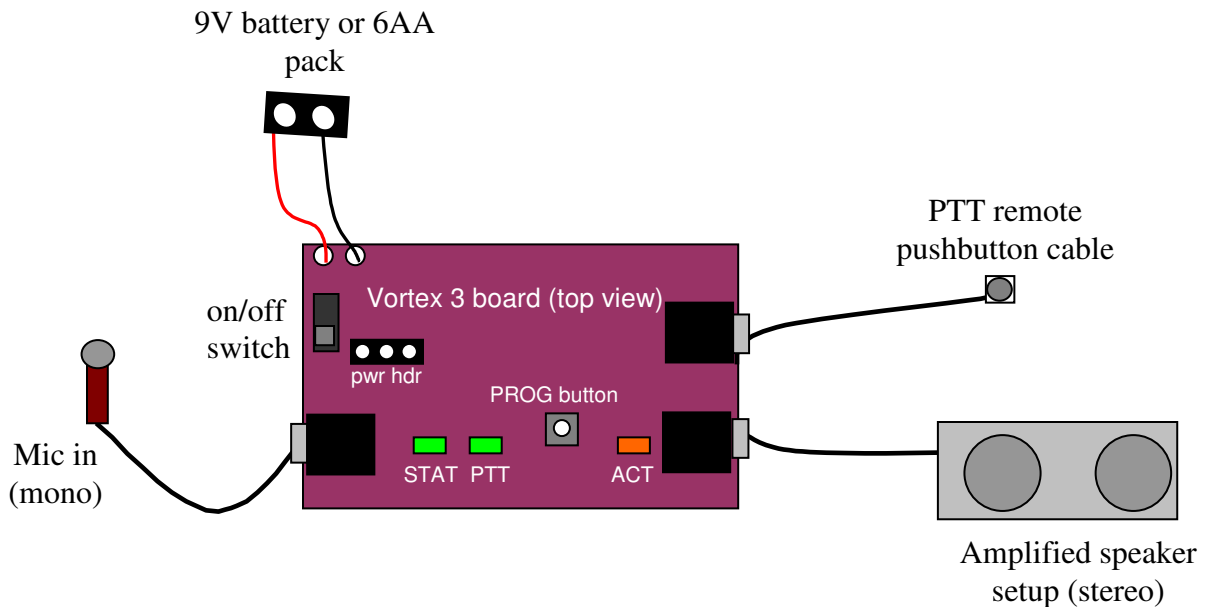
<http://www.hyperdynelabs.com/docs/v3/>

Please print out the documentation file commensurate with the voice effect you purchased.

The documents are in Adobe PDF format, so you will need the free Acrobat reader available from www.adobe.com

Your kit was manufactured using the highest-grade components available, please handle it with care as not to damage any of the components from static electricity. If you are not familiar with static electricity handling procedures, please refer to ESD procedures. Basic information on ESD can be found here:
http://en.wikipedia.org/wiki/Electrostatic_discharge

QUICKSTART connection guide



Email: shima@hyperdynelabs.com if you are having difficulties setting up the unit.

NOTICE: There is no warranty on kits. It is your responsibility to install the board. Opened kits cannot be returned. Be careful if you plan to use a battery source that is capable of delivering a lot of current. Contact a professional if you need assistance. Hyperdyne Labs assumes no responsibility for the misuse of this kit.

Hyperdyne Labs RECOMMENDED Gear For Your V3

There are a plethora of accessories to use with your V3. Portable speakers are ubiquitous, have high-quality stereo output, are much more affordable, and even have Bluetooth built in.

We have tested several pieces of gear that work very well with your Vortex 3 unit. Note: these are not the only accessories that will work with the unit, but rather a small list of our favorite gear.

Green highlighted = tested with V3 unit

Microphone (headset):

1. Nady HM-5U (unidirectional)
2. Nady HM-20U (unidirectional)
3. Nady HM-3 (omni)

Wireless microphone headset (optional):

1. Eyoyo 2.4G wireless headset
2. Bluetooth wireless headset (untested)

Amplified portable speaker:

1. JBL On Tour (old style)
2. Cambridge SoundWorks Oontz (cabled up)
3. TDK A33 portable speaker

Bluetooth low-latency Rx/Tx (for setting up wireless speaker):

1. Indigo BTR9L (x2)