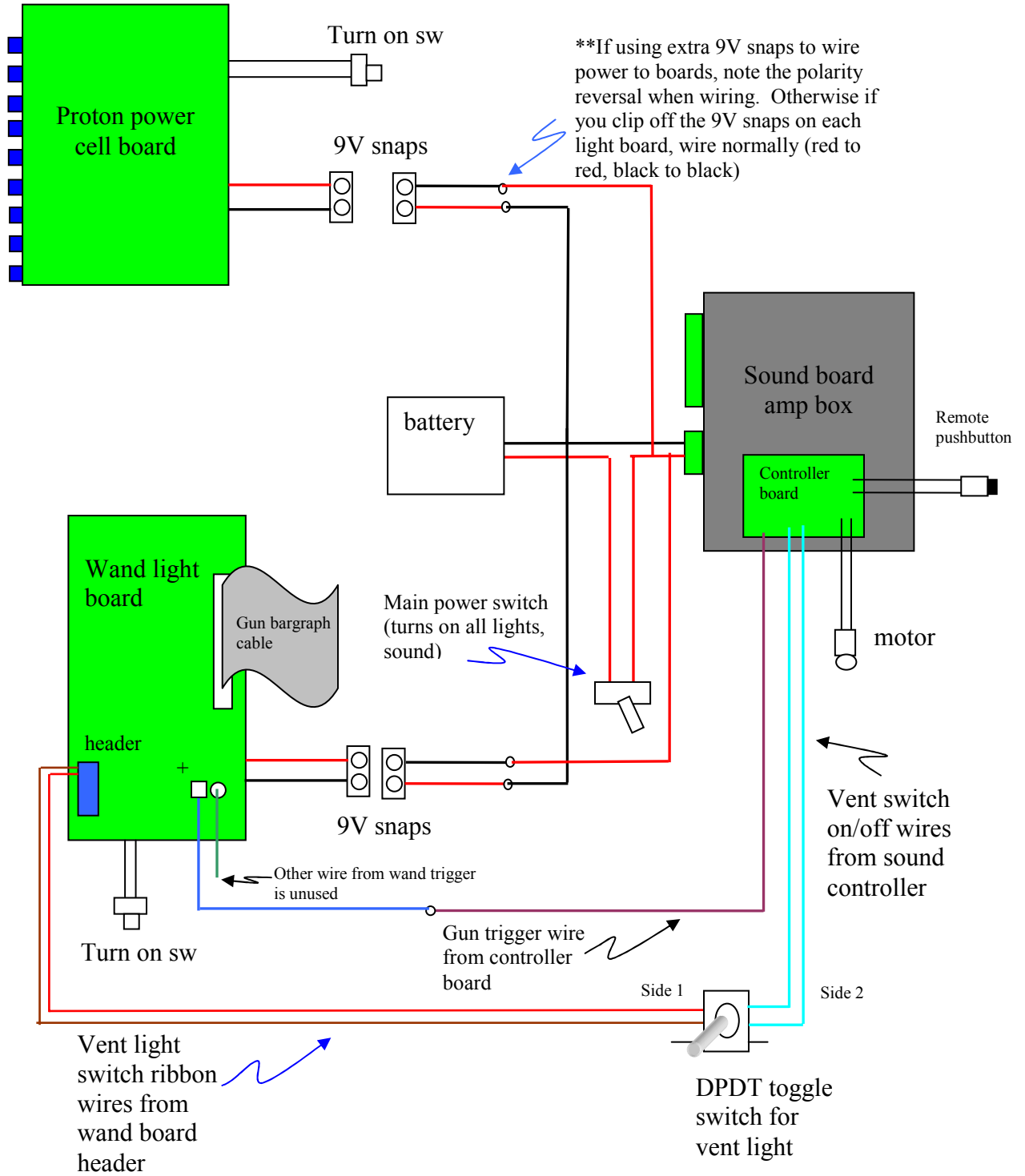


GB Pack Wiring

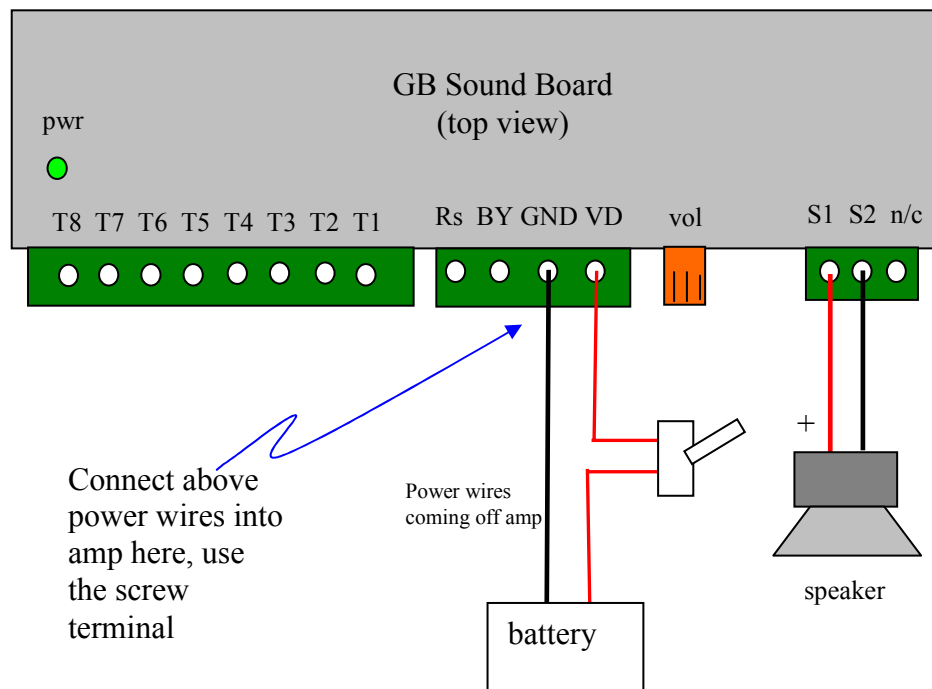
Attaching a single power switch and battery supply to all light boards and sound kit
Hyperdyne Labs © 2006



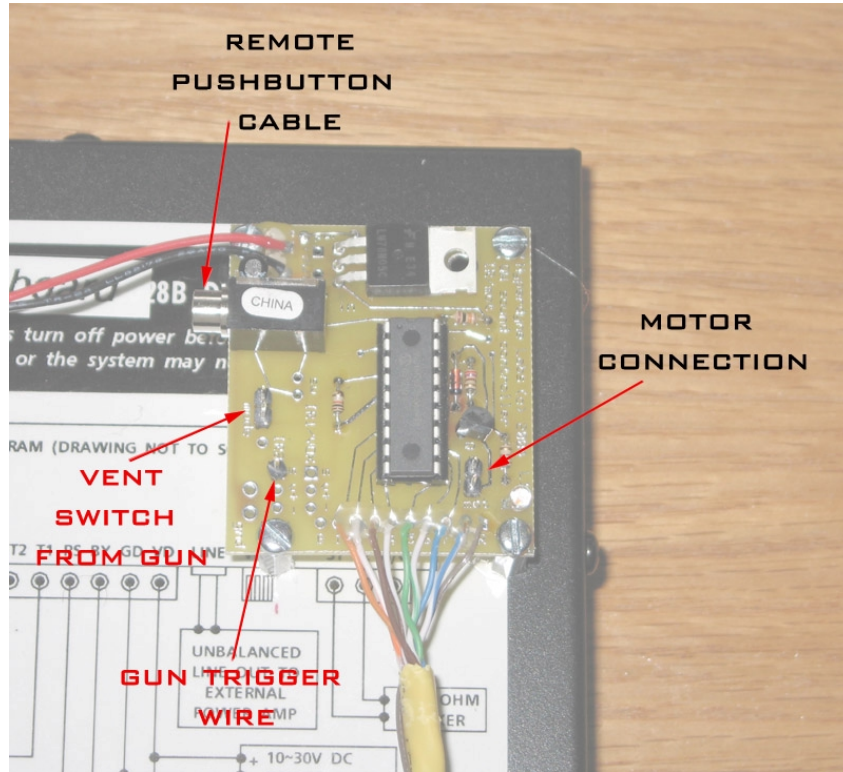
NOTES:

- ****You can make a cable assembly that has the extra 9V snaps to connect power to each board. You can run the power wires from the amp screw posts, since there is already a main toggle power switch running to the amp. This switch will now turn on power to the sound board, amp, and all light boards. *If you do use extra 9V snaps to connect to the light boards, note there is a polarity reversal you must obey! The black wire from the 9V snap goes to the red power wire, and red to black.***
- Alternative: If you don't have extra 9V snaps, you can cut the 9V snap off the power cell light board and the wand light board. Then you will be left with red and black power wires for each board. Wire these to red and black power wires, there is no reversal as mentioned above.
- Turn on the switches on the power cell light board and the wand light board. You won't be using these switches anymore, but you need them to stay on since the boards will now come on when the main toggle switch is thrown. You can bundle up the wire and leave it aside when installing.

Here is a diagram of the black sound brick, with the power wires annotated:

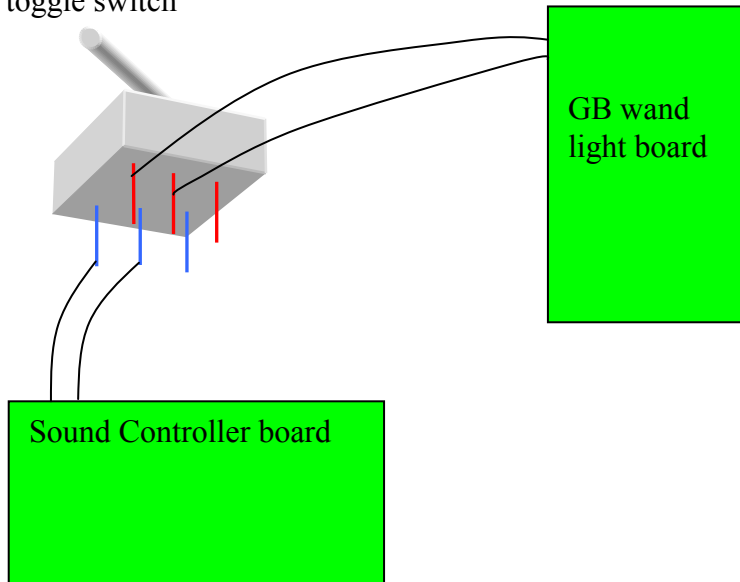


Here is a closeup of the connections from the controller board:



3D pic of the DPDT vent toggle switch connections:

DPDT toggle switch



Ribbon cable from wand light board for vent switch:

(wires red and brown are the vent switch wires)

